

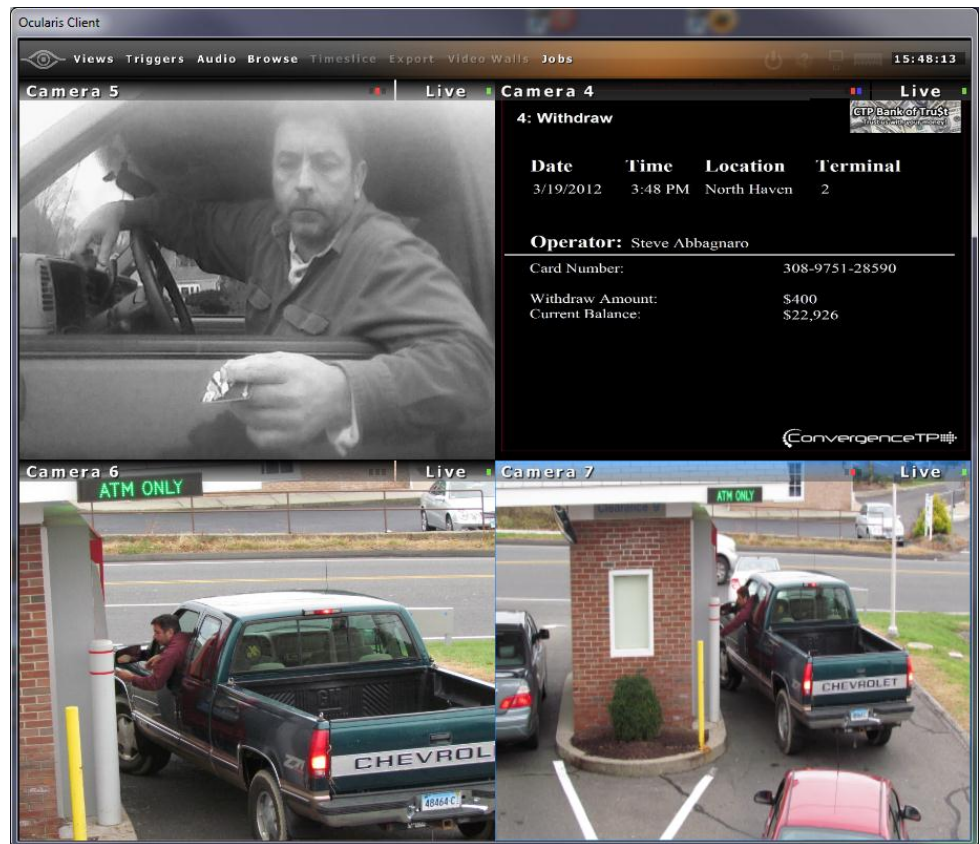
ConvergenceTP, LLC has developed the patent pending Event Streaming Engine (ESE™) which is the backbone for all of the ESE™ software applications allowing user defined information to be seamlessly integrated into the video display.

Critical features

- Transaction text is displayed alongside any associated video, not as an overlay
- Transaction text is synchronized and time stamped with the video
- Transaction text is searchable with search results linked to associated video
- Transaction text is rendered to video in real-time for immediate display on the VMS or stored in a database and rendered on-demand based on a BackOffice search result.

Benefits

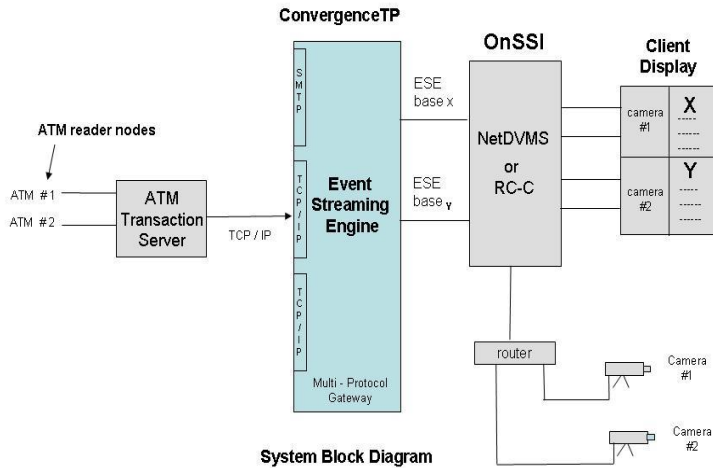
- Correlates ATM transactions with associated camera video of the transaction.
- Flexible display options for presenting transaction activity to the VMS
- Display time in BackOffice mode uses the ATM transaction time
- Flexible search capability allows for 3 layers of search parameter filtering



The ConvergenceTP ATM module records all of the transactional text in a user searchable SQL database, while optionally recording and/or displaying the transaction in real-time within the VMS system.

As a service to the system integrator, ConvergenceTP provides the ESE software preinstalled on a server, fully tested and ready for installation at the customer's site or if the customer prefers the individual s/w licenses can be provided separately for installation onto the customer's server.

See ordering information in side bar.



System Block Diagram

Product Range

- **ESE LPR** - Capture license plate numbers with lane location, lane name, date and time and match plate to a pre-defined list of plates to trigger on plate classifications. Alarm accordingly as Blacklisted, Grey listed or White listed. Incorporate on-screen procedures based on users criteria.
- **ESE POS** – Correlates POS workstation transactions with video of the transaction. Transaction text is stored in a SQL database that is keyword searchable with the result time synchronized with the video system. Transactions can be displayed in real-time or rendered on demand.
- **ESE RFID** – Obtain a description of the asset as it approaches an exit point with an image of the person carrying the asset along with location, date and time recorded as one file and retrieved by asset name, or RFID tag number.
- **ESE Procedure** - Create your own unique text alerts that will be displayed next to live video when an event is triggered. This could be your approved company procedure or names of departments or people to call based on your needs and location when an event is triggered.
- **ESE Access** – Display the person's name, image and door location along with date and time as the cardholders badge is swiped. Open doors remotely from the client display.
- **ESE Man-Down** - Provides a visual alert notification with text alongside real time video upon the detection of an emergency alert. Used in conjunction with a personal emergency transmitter designed for use by guards and security officers in prisons and institutions, or by people working alone in industrial and other high-risk facilities.

Contact Information: ConvergenceTP, LLC
250 State Street, Unit G-1 , North Haven , CT 06473 USA
Phone 800 252- 6840 sales website www.c2p.com

Ordering Information

ESE™ Base License – Master software license which runs on top of the VMS software. One license required per server.

Model Number: CNV-EBL-1

Data Node Interface

Type 2 License – One license required per ATM Reader connected to the system.

Model Number: CNV- DNI-2

Server and Base license Package – ConvergenceTP can furnish the server and ESE base license s/w installed and tested ready for installation by the system integrator as a base package.

Model Number: CNV-SVR -BASE

Software Upgrade Plan –

Available for 1 – 3 years for all ESE™ licenses.

Model Number: CNV-SUP-1

Model Number: CNV-SUP-2

Model Number: CNV-SUP-3